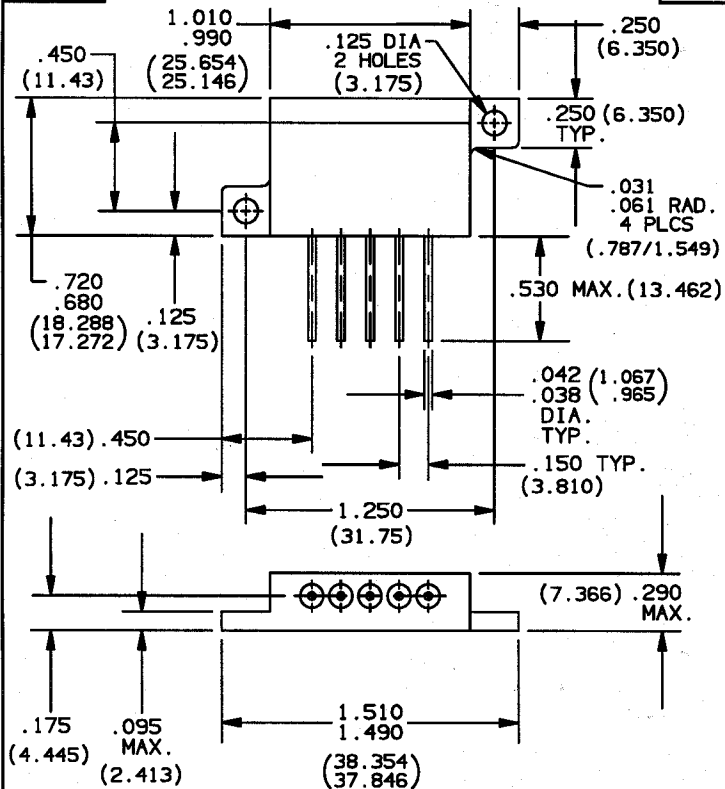


15

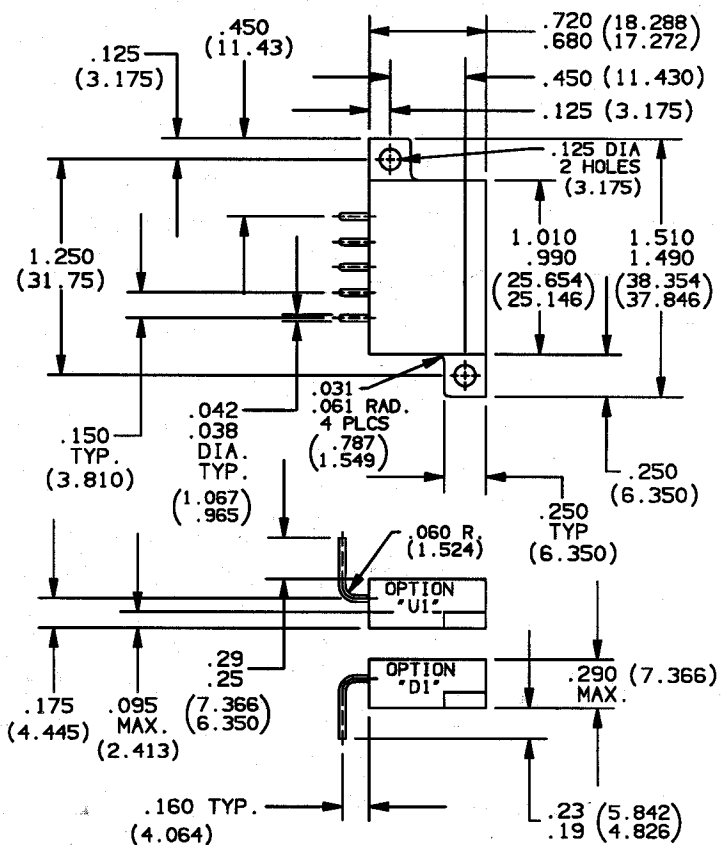
STANDARD LEADS

JAM

LEAD BEND OPTIONS



OPTION "S"



OPTION "U1"

OPTION "D1"