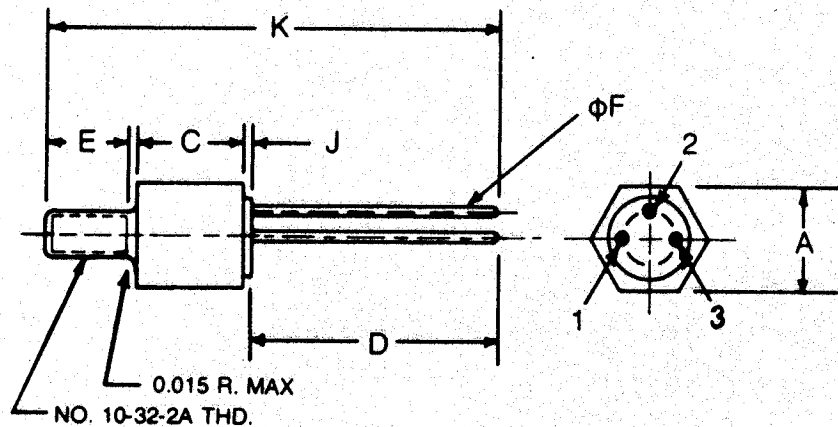


MT-27



- (1) Emitter
- (2) Base
- (3) Collector electrically connected to case

| SYMBOL | DIMENSIONS | | | | NOTES |
|--------|------------|-------|-------------|-------|-------|
| | INCHES | | MILLIMETERS | | |
| | MIN. | MAX. | MIN. | MAX. | |
| A | | 0.438 | | 11.13 | |
| C | | 0.445 | | 11.30 | |
| D | 1.500 | 1.520 | 38.10 | 38.61 | |
| E | | 0.030 | | 0.762 | |
| ΦF | 0.021 | 0.026 | 0.533 | 0.660 | |
| J | 0.010 | 0.030 | 0.254 | 0.762 | |
| K | | 2.360 | | 59.94 | |