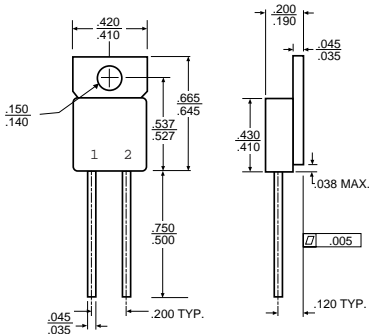


MECHANICAL OUTLINE



TO-257AA
2-Pin