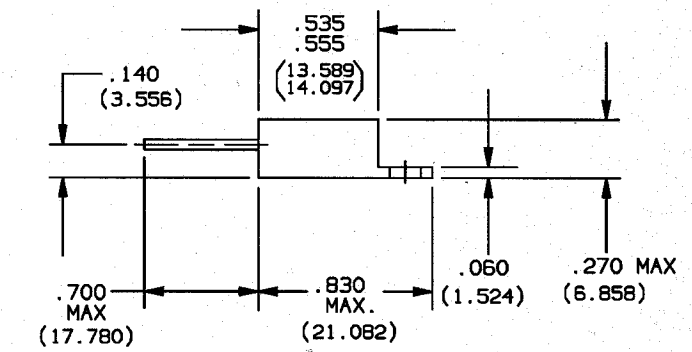
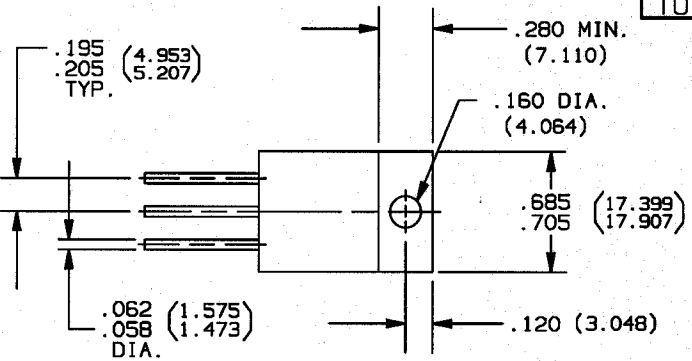


STANDARD LEADS

JEC
T0-258

LEAD BEND OPTIONS



OPTION "S"

