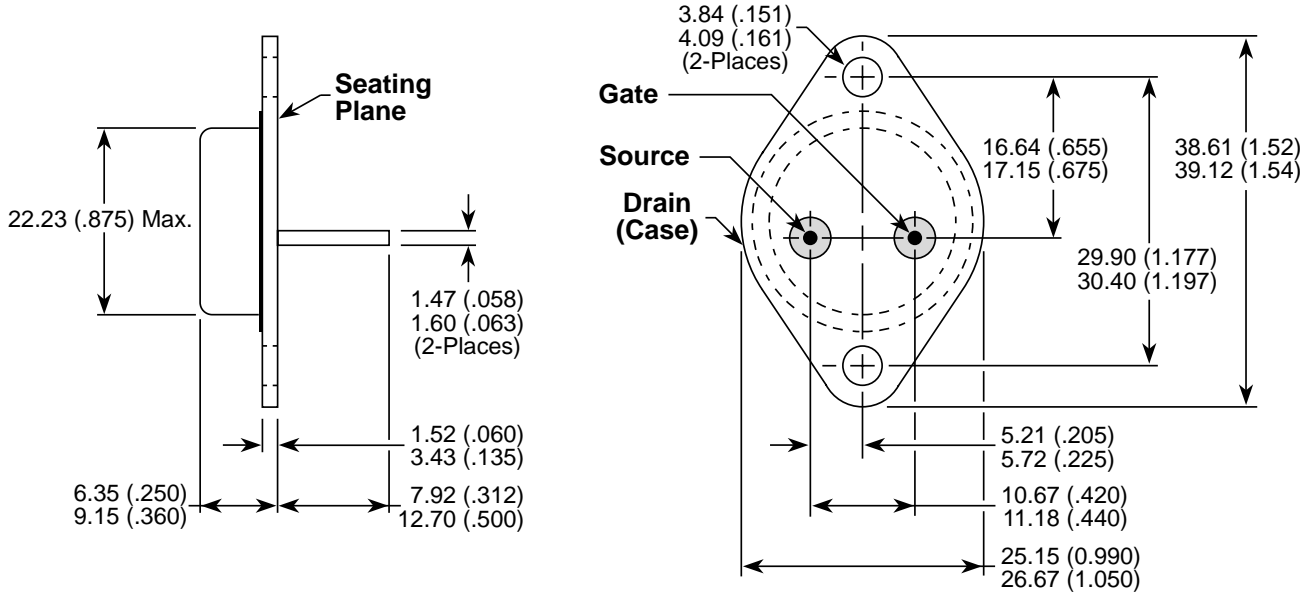


TO-3 (TO-204AE) Package Outline



Dimensions in Millimeters and (Inches)